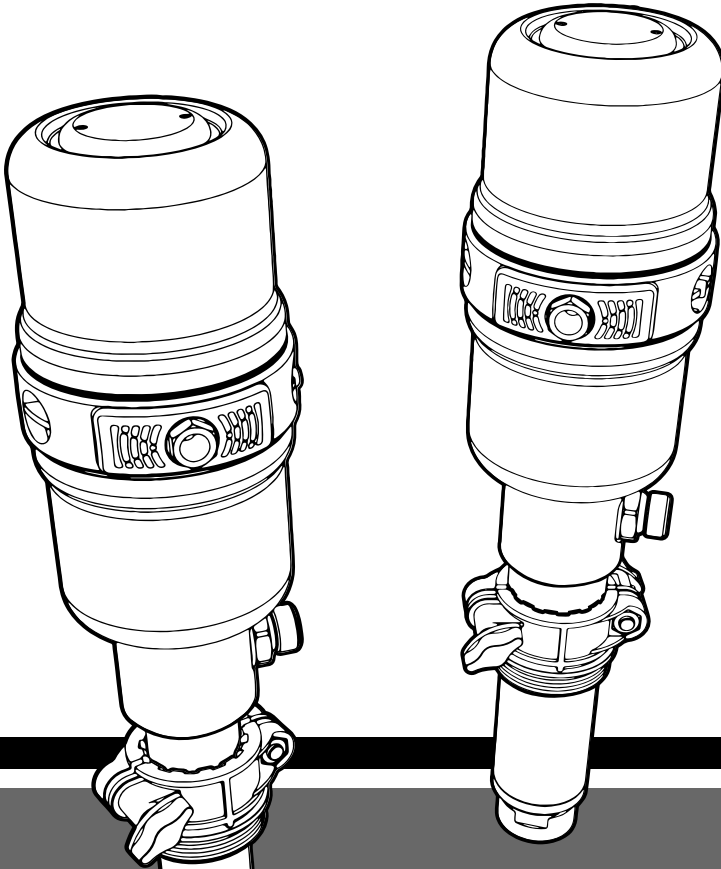


PIUSI

*Fluid Handling
Innovation*

**PIUSI
P 3.5
P 5.5**



**MADE
IN
ITALY**

Installation, use and maintenance manual **EN**
Монтаж, эксплуатация и **RU**
техническое обслуживание

BULLETIN MO352 ENRU B _ O2

ENGLISH

BULLETIN MO352 B

INDEX

1. Facsimile copy of EU declaration of conformity	4
2. General warnings	5
3. Safety instructions and warnings	6
4. First aid rules	6
5. General safety rules	7
6. Dispensing system packaging	8
7. Package contents/pre-inspection	8
8. Position of important information	9
9. Machine and manufacturer identification	10
10. Technical specifications	10
11. Intended use	12
12. Installation	13
13. Operation	17
14. Maintenance	18
15. Troubleshooting	19
16. Demolition and disposal	21

1. FACSIMILE COPY OF EU DECLARATION OF CONFORMITY

The undersigned:

PIUSI S.p.A.
Via Pacinotti 16/A z.i. Rangavino
46029 Suzzara - Mantova - Italy

HEREBY STATES

under its own responsibility that the equipment described below:

Description : double-acting pneumatic pump for oil dispensing

Model: **PIUSI P 3.5 - PIUSI P 5.5**

Serial number: refer to Lot Number shown on CE plate affixed to product

Year of manufacture: refer to the year of production shown on the CE plate affixed to the product

complies with the following legislation:

- Machinery Regulations

The technical file is at the disposal of the competent authority following motivated request at PIUSI S.p.A. or following request sent to the e-mail address: doc_tec@piusi.com.

THE ORIGINAL DECLARATION OF CONFORMITY IS PROVIDED SEPARATELY WITH THE PRODUCT

Suzzara, 05/2023

Otto Varini
legal representative






2. GENERAL WARNINGS

Warnings

To ensure operator safety and to protect the system from potential damage, workers must be fully acquainted with this instruction manual before attempting to operate the system.

Symbols used in the manual

The following symbols will be used throughout the manual to highlight safety information and precautions of particular importance:

	WARNING		ATTENTION		NOTE
<p>This symbol indicates a hazardous situation which, if not avoided, could result in death or serious injury.</p>		<p>This symbol indicates that there is risk of damage to the equipment and/ or its components.</p>		<p>This symbol indicates <i>useful information</i>.</p>	

Manual preservation

This manual should be complete and legible throughout. It should remain available to end users and specialist installation and maintenance technicians for consultation at any time.

Reproduction rights

This manual belongs to PIUSI S.p.A., which is the sole proprietor of all rights indicated by applicable laws, including, by way of example, laws on copyrights. All the rights deriving from such laws are reserved to PIUSI S.p.A.: the reproduction, including partial, of this manual, its publication, change, transcription and notification to the public, transmission, including using remote communication media, placing at disposal of the public, distribution, marketing in any form, translation and/or processing, loan and any other activity is reserved by the law to PIUSI S.p.A. All reproduction rights are reserved by PIUSI S.p.A. The text cannot be reprinted without the written permission of PIUSI S.p.A.

© PIUSI S.p.A.
 THIS MANUAL IS THE PROPERTY OF PIUSI S.p.A.
 ANY REPRODUCTION, EVEN PARTIAL, IS FORBIDDEN.

3. SAFETY INSTRUCTIONS AND WARNINGS

Preliminary checks before installation

Before proceeding, make sure you can install the product in a ventilated area, free from hazards for operators and equipment.



WARNING

Poor ventilation, naked flames and sparks can give rise to hazardous conditions, and cause fires, explosions and serious injuries.

The device is NOT anti-explosive type.

The device must be installed outside areas at risk of explosion.

Do not install in areas where inflammable vapors may be present.

Make sure that hoses are not routed close to high-traffic areas, sharp edges, moving parts or hot surfaces. Use hoses within a temperature range of -40°C to +82°C.

Maintenance control

Before carrying out any inspection or maintenance operations, always shut off the air and discharge the pressure from the circuit by following the decompression and draining procedure.

Prohibitions



WARNING

It is strictly forbidden to hold or transport the system by means of the hoses connected to it.

The device is designed to pump fluid at high pressures. Directing the flow towards any part of the body is strictly prohibited and may cause severe injury.

4. FIRST AID RULES

Contact with the product

In the event of problems deriving from INJECTION, INHALATION, INGESTION or contact of the handled product with the EYES or SKIN, consult the respective SAFETY DATA SHEET.

Hazardous fluids and toxic fumes can cause serious or fatal injuries.

Fluid injection hazard

There is a risk that the handled fluid could be accidentally injected into the operator's body as a result of leaks, damaged components or improper use. Should this happen, the victim must receive immediate emergency medical attention from qualified personnel. Inform medical personnel of the exact nature of the injected fluid.



NOTE

Refer to the safety data sheets of the fluid in question.



WARNING

Do not treat the area into which the fluid was injected as a simple wound. Call for emergency medical attention.

5. GENERAL SAFETY RULES



WARNING

Do not operate the device when tired or under the influence of drugs or alcohol. Do not leave the work area while the device is operating. Do not alter or modify the device. Alterations or modifications to the device may invalidate its type-approval and result in dangers to safety. Keep children and animals far from the work area. Observe all applicable safety regulations.

Essential protective equipment characteristics

Personal protective equipment that must be worn

Wear protective equipment according to the info below:

- suited to the operations that need to be performed;
- resistant to cleaning products.



safety shoes



protective gloves



close-fitting clothing



safety goggles



Use Instruction Manual

Protective gloves Prolonged contact with the treated product may cause skin irritation; always wear protective gloves during dispensing.

! WARNING

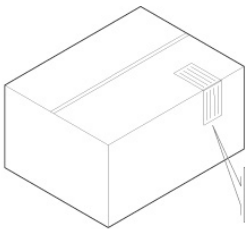
Moving parts hazard



The device comprises moving parts capable of crushing, cutting and amputation. Operate with care at all times.

- Do not approach moving parts during start-up or use of the device.
- Do not operate the device without its protective casings.

6. DISPENSING SYSTEM PACKAGING

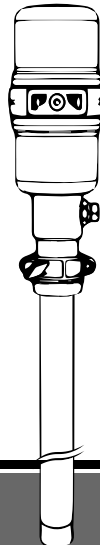


The dispensing system comes packed in a cardboard box bearing a **label** containing all the information relating to the equipment (model, weight, etc.).

7. PACKAGE CONTENTS/PRE-INSPECTION



model
PIUSI P 3.5 - ST
PIUSI P 5.5 - ST
 Wall-mounting pump unit.



model
PIUSI P 3.5 - 940
PIUSI P 5.5 - 940
 Pump unit with pick-up hose for drum-mounting.



To open the cardboard packaging, use a pair of scissors or a cutter, being careful not to damage the dispensing system or its components. Open the packaging and check that the components provided as part of the equipment are available.

! WARNING

Check that the data on the plate correspond to the desired specifications. In the event of any anomaly, contact the supplier immediately, indicating the nature of the defects. Do not use equipment which you suspect might not be safe.

+ NOTE

In the event that one or more of the components described below are missing from inside the package, please contact PIUSI S.p.A. technical support.

8. POSITION OF IMPORTANT INFORMATION

An adhesive label showing the operator the most important information is affixed to the dispensing system. Check that this label does not deteriorate over time or come off. The label shows the following information relating to use:

+ NOTE

If all or part of the label deteriorates or comes off, please contact our customer care department to ask for a replacement.



close-fitting clothing



protective gloves



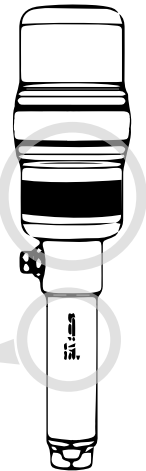
Consult "Installation, use and maintenance" manual



safety goggles



safety shoes



<p>! WARNING</p> <p>Do not exceed the maximum air pressure of the pump. Not for use with windshield washer fluid, petrol or other explosive liquids.</p>	<p>MADE IN ITALY</p>	<p>ATTENTION</p> <p>Wear appropriate protective equipment to help prevent serious injury. Indossare dispositivi di protezione adeguati per prevenire gravi infortuni.</p>	
---	-----------------------------	--	--

Stamp on the bottom of the pump, or on the pick-up hose, showing information about the device.

PIUSI SPA - MADE IN ITALY
PIUSI P 5.5 - ST FOO21401A
SERIAL N. 0123456789
CE EAC UKCA

9. MACHINE AND MANUFACTURER IDENTIFICATION

The dispensing system comes with an identification stamp attached to the pump and contains the following information:

- *type*;
- *product ID code*;
- *serial number*.



WARNING

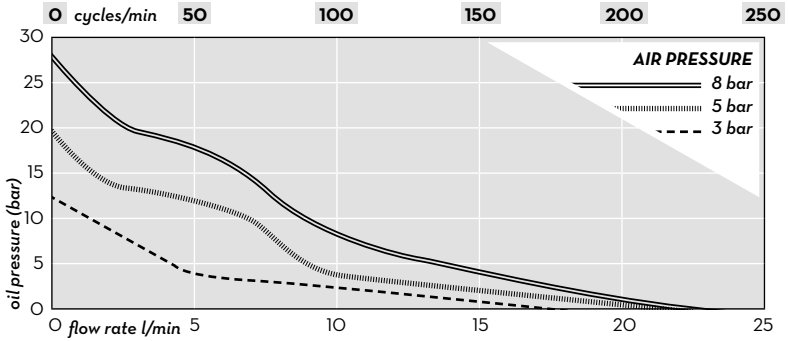
Before installing, always make sure the type of dispensing system is correct.

10. TECHNICAL SPECIFICATIONS

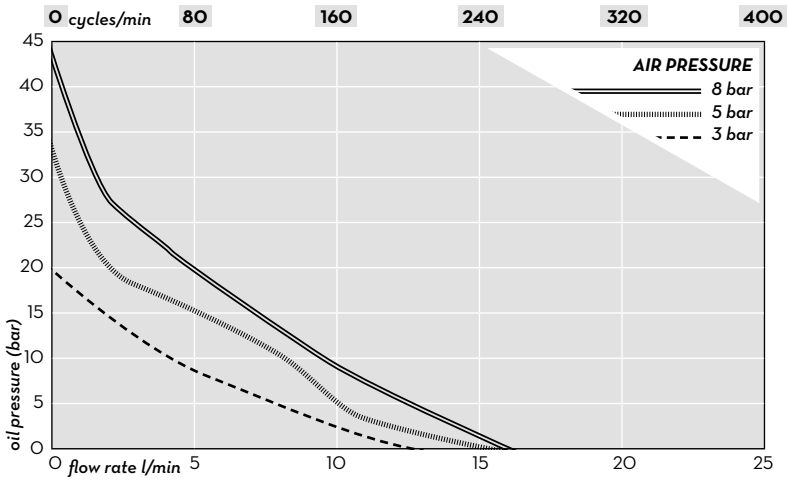
	P 3.5 - ST FOO214000	P 3.5 - 940 FOO214020	P 5.5 - ST FOO214010	P 5.5 - 940 FOO214030
Compression ratio	3.5:1	3.5:1	5.5:1	5.5:1
Air pressure	3-7 bar 43.5-101.5 psi	3-7 bar 43.5-101.5 psi	3-7 bar 43.5-101.5 psi	3-7 bar 43.5-101.5 psi
Air intake thread	1/4" G	1/4" G	1/4" G	1/4" G
Oil intake thread	1" G	1" G	1" G	1" G
Oil outlet thread	1/2" G	1/2" G	1/2" G	1/2" G
Flow rate with free outlet (8 bar)	21,5 l/min 5.7 USgal/min	21,5 l/min 5.7 USgal/min	15,5 l/min 4.1 USgal/min	15,5 l/min 4.1 USgal/min
Pick-up hose diameter	-	42 mm	-	50 mm
Pick-up hose length	175 mm	940 mm	175 mm	940 mm
Total length	445 mm	1210 mm	445 mm	1210 mm
Retaining ring nut	2" G	2" G	2" G	2" G

P 3.5 - ST P 3.5 - 940

**SAE 20 (ISO VG68) OIL
t=18°C**



P 5.5 - ST P 5.5 - 940



11. INTENDED USE

Intended use

The “**PIUSI P 3.5 - PIUSI P 5.5**” dispensing system is designed and manufactured for the sole purpose of dispensing lubricating oil.

Conditions of use

The “**PIUSI P 3.5 - PIUSI P 5.5**” dispensing system must be used in accordance with the following conditions:

- *intake air pressure: 3-7 bar;*
- *maximum operating pressure: 55 bar;*
- *make sure that the pump operates within its nominal operating parameters.*

Flammable liquids and explosive atmosphere



WARNING

The system “**PIUSI P 3.5 - PIUSI P 5.5**” was not designed for dispensing of diesel, petrol, flammable liquids with flash point <55°C (131°F), or for operation in environments with potentially explosive atmosphere. The use in the above mentioned conditions is forbidden.

Unintended use

Do not operate the system for any purpose other than the purpose described within this manual; all other use is considered “IMPROPER” and will result in PIUSI S.p.A. disclaiming any responsibility for damage to property, people, animals or to the system itself.

12. INSTALLATION

Foreword

The “**PIUSI P 3.5 - PIUSI P 5.5**” dispensing system is designed and predisposed for wall-mounting (ST versions) or mounting directly on the oil drum (Q40 versions). In both cases, however, it must be mounted in a secure, stable manner.

Authorised installation personnel

All installations must be carried out by authorised and competent personnel only. Authorised persons must:

- install the system in dry and well-ventilated place;
- ensure the correct installation of equipment required for the correct functioning of the pump.



WARNING

Altering or modifying the dispensing device is strictly forbidden. PIUSI S.p.A. accepts no responsibility for damage to persons, property or the environment caused by failure to comply with this requirement. The installer is responsible for equipping the system with the required accessories for safe and correct operation of the device. The selection of accessories unsuitable for use may cause serious damage/injury to the device and/or individuals. Do not use the device if important parts of the device, accessories or safety devices are damaged. Make the necessary replacements and repairs immediately.



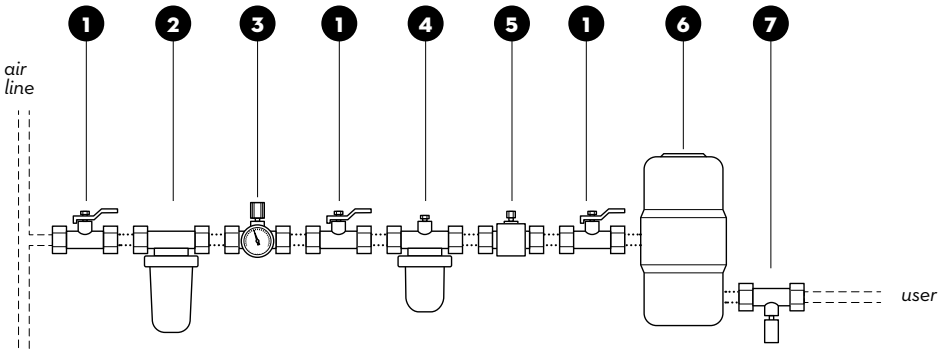
ATTENTION

- The “**PIUSI P 3.5 - PIUSI P 5.5**” dispensing system is for professional use only.
- According to the current legislation, the “**PIUSI P 3.5 - PIUSI P 5.5**” dispensing system must be installed in premises that are sufficiently well-lit.
- It is compulsory to adhere completely to the safety and fire regulations in force in the place of installation.

Installation example

The diagram below provides an example of a possible configuration for the installation of the “**PIUSI P 3.5 - PIUSI P 5.5**” system. For support in designing a system, you need to consult qualified personnel.

- 1 · Bleed ball valve
- 2 · Filter
- 3 · Pressure regulator with pressure gauge - **Set to max. 7 bar** (mandatory)
- 4 · Lubricator
- 5 · Safety valve (mandatory)
- 6 · Pump casing
- 7 · Max. pressure safety valve



Fixing the dispensing system

Fix the pump casing securely to the wall (ST version) using a suitable bracket, or fix it to the lid of the drum (94O version), inserting it completely with pick-up hose and tightening the fixing screws. Then connect the pump to the air line, making sure that the components shown in the figure are present.



WARNING

- The air accessories must be fitted with suitable support brackets. The pump unit fittings can be damaged by the weight of the accessories in the line.
- Installations which fail to comply with diagram do not guarantee correct operation of the pump.
- Air delivery pressures over 7 bar may damage the pump and system.



Accessories required for safe use

For correct operation of the pump unit and to ensure operator safety, it is obligatory to fit devices designed to reduce the risk of injury by fluid injection, splashing, etc.

Bleed ball valve (necessary)



1 The circuit **MUST, OF NECESSITY**, be equipped with bleed ball valves upstream of the pump unit. These devices make it possible to close stretches of line and discharge the compressed air trapped in them. Trapped air can cause the pump to start suddenly and unexpectedly, with the consequent risk of severe injuries.

Max. pressure safety valve



7 The circuit **MUST NECESSARILY** be equipped with a max. pressure safety valve on the oil distribution system, immediately after the pump unit. The system makes it possible to discharge hazardous excess pressure caused by the thermal expansion of the fluid.

Pressure regulator with pressure gauge Safety valve

3 We recommend that you fit a pressure regulator with pressure gauge, so that you can monitor pump speed and pressure with complete ease.

5 Running the pneumatic motor too fast can cause serious damage. The presence of a safety valve ensures that the flow can be shut off if the set pressure is exceeded.

Lubricator

4 For applications involving intensive use, we recommend that you fit an automatic lubricator in the line so as to maximise the service life of the pneumatic motor. Use only oil for pneumatic tools or SAE10 engine oil. Set the lubricator to dispense a maximum of one drop every 10 minutes.

Filter

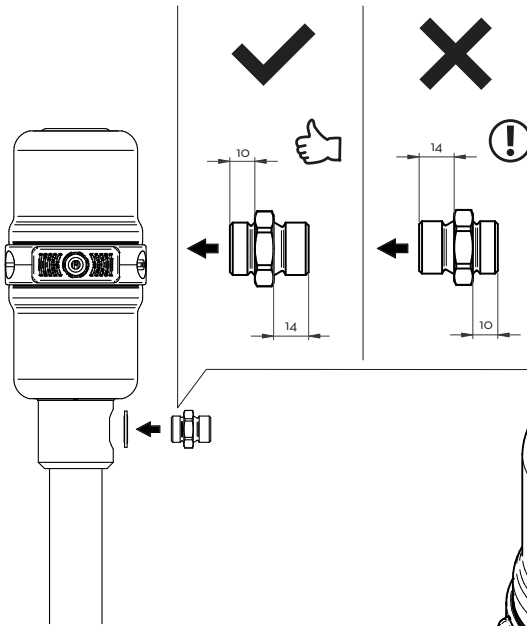
2 The presence of an air filter upstream of the pump unit helps remove dirt and contaminants, thus extending the service life of the pneumatic motor.



WARNING

Never operate the pump if it is not correctly installed and fixed. Doing so can cause serious damage to the device and fittings.

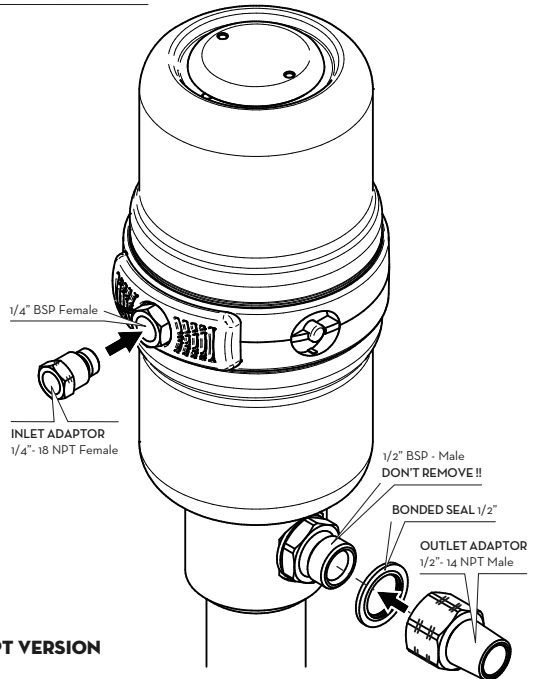
■ CORRECT NIPPLE ASSEMBLY



! WARNING

It is absolutely forbidden to replace the oil delivery nipple with other commercial connectors

■ NPT VERSION



13. OPERATION

First use

To make optimum use of the pneumatic pump, we strongly recommend that you follow the procedure set out below. This reduces risks for the operator. After installation of the product, the starting state must involve closure of all the ball valves in the air line, and closure of the dispensing device and the pressure regulator with pressure gauge.

Opening the air line

Keeping the pressure regulator in the closed position, open the air line ball valves in sequence. Then keep the dispensing valve open over a suitable metal container to receive the fluid from it once the system is primed. Take extreme care and keep the dispensing nozzle in contact with the wall of the container. We also recommend that you wear personal protective equipment.

Opening the pressure and priming

Slowly open the pressure regulator with pressure gauge, as gradually as possible. Monitor the pressure by means of the pressure gauge indicator and wait until you hear the pneumatic pump come into operation to allow priming. As soon as all the air in the fluid line has been expelled and the dispensing valve has started dispensing, close the dispensing valve.



NOTE

After initial priming, if the air line is open, opening the dispensing valve will immediately start the pneumatic pump. Closing the dispensing valve will stop the pneumatic pump.

Normal use

We recommend that you adjust the pressure to the minimum quantity of air necessary to obtain the desired dispensing results. Take the utmost care when adjusting the pressure.



WARNING

The system supplies fluids at high pressure, such a pressure as to be a source of danger for the operator. Supply with caution the first time, and in conditions of maximum safety, in order to acquire a correct perception of the operation of the system. Interrupt supply immediately if there are sparks or electrical discharge.



ATTENTION

Using the pump unit in a dry state, i.e. with no fluid or with insufficient fluid, can damage it irreparably. Dry pumping increases the operating speed of the pneumatic motor, resulting in overheating and possible failure.

If operating at low temperatures, we recommend that you use systems to protect against the formation of ice.

Don't shut off the air supply while the pump is working. For its correct working never go down below the declared pressure.

14. MAINTENANCE

Safety instructions The system is designed and manufactured to require minimal maintenance. Before carrying out any maintenance operation, it is imperative to decompress the dispensing system with the aid of the bleed ball valves. It is strictly forbidden to carry out any maintenance operation if the circuit contains compressed air capable of causing the pump to start suddenly.

Personal protective equipment (PPE) must be worn when carrying out maintenance work.

Take account of the following minimum recommendations for correct operation of the pump.

Authorised maintenance personnel

All maintenance must be performed by qualified personnel. *Tampering can lead to performance degradation, danger to persons and/or property and may result in the warranty being voided.*

Measures to be taken

Make sure that the label affixed to the dispensing system does not deteriorate over time or come off.

EVERY DAY:

- check that the hoses are in sound condition.

ONCE A YEAR:

- check the components of the air circuit.

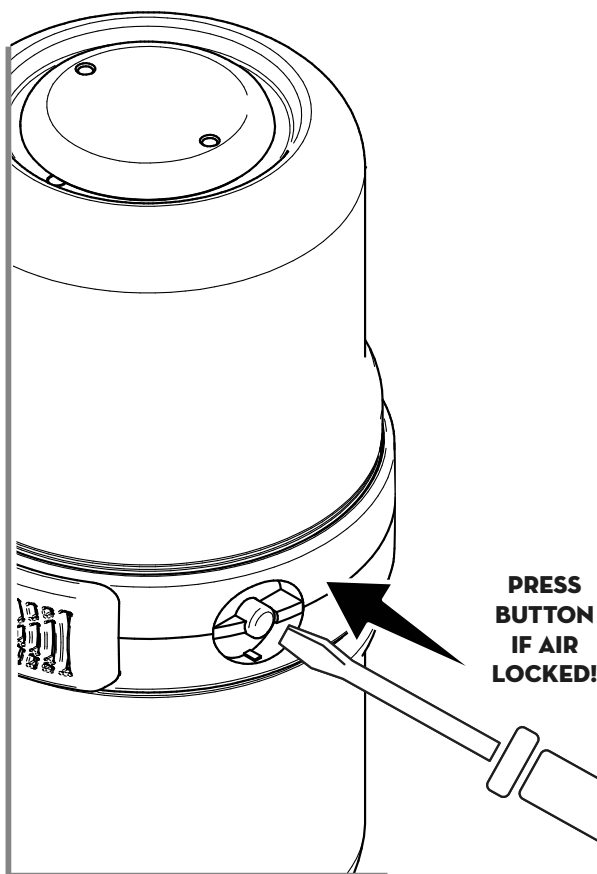
15. TROUBLESHOOTING



ATTENTION

Before carrying out any inspection or maintenance operations, shut off the air and discharge the pressure from the circuit by following the decompression procedure.

Problem	Possible cause	Corrective action
Pump does not work	Intake air pressure too low	Increase intake air pressure
	Air lines obstructed	Clean air lines
	Dispensing valves closed or obstructed	Open or clean dispensing valves
	Fluid lines or other components obstructed	Check that fluid lines and components are clean
	No fluid left in tank	Fill tank
Pump runs irregularly	Pneumatic motor damaged	Repair pneumatic motor
	Piston gaskets are worn	Replace worn gaskets
	No fluid left in tank	Fill tank
Continuous air leakage	Motor gaskets not sealing properly	Clean or replace motor gaskets
The pump does not start up and releases air from silencers	Pump stalled	Push the button RESET (see diagram after the table)



**PRESS
BUTTON
IF AIR
LOCKED!**

16. DEMOLITION AND DISPOSAL

Foreword

If the system needs to be disposed, the parts which make it up must be delivered to companies that are specialized in the recycling and disposal of industrial waste. Inappropriate disposal of this waste may harm the environment and human health. Contravention of applicable legislation may result in sanctions.

Disposing of packing materials

The packaging consists of biodegradable cardboard which can be delivered to companies for normal recycling of cellulose.

Metal parts disposal

The metal parts, including painted parts, can normally be recovered by specialist scrap metal dealers.

Miscellaneous parts disposal

Other components, such as hoses, rubber gaskets, plastic parts and wires, must be disposed of by companies specialising in the disposal of industrial waste.

РУССКИЙ

Публикация M0352 B

ОГЛАВЛЕНИЕ

RU

1. Факсимальная копия декларации соответствия UE	24
2. Общие положения	25
3. Меры безопасности	26
4. Меры первой помощи	26
5. Меры безопасности	27
6. Упаковка насоса	28
7. Содержимое упаковки/предварительная проверка	28
8. Расположение знаков и табличек	29
9. Идентификационные данные машины и изготовителя	30
10. Технические характеристики	30
11. Назначение	32
12. Установка	33
13. Эксплуатация	37
14. Техническое обслуживание	38
15. Диагностика	39
16. Демонтаж и утилизация	41

1. ФАКСИМАЛЬНАЯ КОПИЯ ДЕКЛАРАЦИИ СООТВЕТСТВИЯ EU

Мы, нижеподписавшиеся:

PIUSI S.p.A.

Via Pacinotti 16/A z.i. Rangavino
46029 Suzzara - Mantova - Italy

ЗАЯВЛЯЕМ

что берём под свою ответственность тот факт, что оборудование, описываемое
внизу,

Описание: АВТОМАТИЧЕСКАЯ СИСТЕМА УПРАВЛЕНИЯ ЗАПРАВКОЙ ЖИДКОСТЕЙ
Модели: MC BOX B.SMART

С серийным номером: смотрите номер партии, изображённый на табличке CE
(европейского соответствия), прикреплённой к продукту, годом выпуска -
смотрите год выпуска, показанный на табличке CE, прикреплённой к продукту в
соответствии с юридическими

соответствует следующему законодательству:

- Правила машины

Технический файл предоставляется компетентному органу по обоснованному
запросу, в PIUSI S.p.A. или по запросу, отправленному на адрес электронной
почты: doc_tec@piusi.com.

ОРИГИНАЛЬНАЯ ДЕКЛАРАЦИЯ СООТВЕТСТВИЯ ПРЕДОСТАВЛЯЕТСЯ ОТДЕЛЬНО С
ПРОДУКТОМ.

Судзара, 05/2023

Отто Варини (Otto Varini)
уполномоченный представитель






2. ОБЩИЕ ПОЛОЖЕНИЯ

Важные замечания

Для обеспечения безопасности операторов, предотвращения повреждения системы электроснабжения и перед проведением на системе любых работ внимательно прочтите настоящее руководство.

Обозначения, используемые в руководстве

Для выделения особо важной информации и указаний в руководстве используются следующие знаки и сигнальные слова.

 ОПАСНО	 ОСТОРОЖНО	 ПРИМЕЧАНИЕ
<p>Данным знаком обозначены действия, при неверном выполнении которых возможно серьёзное травмирование операторов, вплоть до смертельного исхода.</p>	<p>Данный знак указывает на опасность повреждения машины и/или её компонентов.</p>	<p>Данным знаком выделяется важная информация.</p>

Хранение руководства

Настоящее руководство должно храниться с целости и сохранности. Руководство должно быть всегда доступно персоналу эксплуатирующей организации, специалистам по монтажу и ремонту.

Авторские права

Настоящее руководство является собственностью компании PIUSI S.p.A. Компания Piusi S.p.A. является исключительным владельцем всех прав, включая авторские и интеллектуальные, на данный документ. Все права защищены. © PIUSI S.p.A. Все права на воспроизведение настоящего руководства, даже частичное, его изменение, перепечатку, раскрытие, распространение или продажу в любой форме, перевод и/или переработку и прочие действия принадлежат по закону компании PIUSI S.p.A. Все права на воспроизведение настоящего руководства принадлежат компании Piusi S.p.A. Не допускается использование материалов руководства в других документах без письменного разрешения компании Piusi S.p.A.

© PIUSI S.p.A.

НАСТОЯЩЕЕ РУКОВОДСТВО ЯВЛЯЕТСЯ СОБСТВЕННОСТЬЮ КОМПАНИИ PIUSI S.p.A.

ВОСПРОИЗВЕДЕНИЕ РУКОВОДСТВА, ДАЖЕ ЧАСТИЧНОЕ, ЛЮБЫМ СПОСОБОМ, ЗАПРЕЩАЕТСЯ.

3. МЕРЫ БЕЗОПАСНОСТИ

Проверки перед установкой Перед продолжением убедитесь в возможности установки изделия в хорошо вентилируемом месте, где отсутствуют потенциальные опасности для операторов и самого изделия.



ОПАСНО

Ненадлежащая вентиляция, открытое пламя или искры могут привести к опасным ситуациям, пожару или взрыву.

Устройство не имеет взрывозащищённого исполнения. Не допускается установка устройства в пожаровзрывоопасных зонах. Не допускается установка устройства в зонах, где возможно появление взрывоопасных паров.

Шланги и трубки должны прокладываться на удалении от проходов, острых краёв, подвижных частей и горячих поверхностей. Используйте шланги с рабочей температурой от -40 °С до 82 °С.

Проверки и техническое обслуживание Перед проведением любых проверок или технического обслуживания перекройте подачу воздуха и сбравите давление, как указано в описании операций декомпрессии и дренажа.

Надопустимые действия



ОПАСНО

Категорически запрещается перемещать систему за подсоединённые трубы и шланги.

Устройство предназначено для подачи жидкости с высоким давлением. Категорически запрещается направлять струи жидкости на людей. Это может привести к их серьёзному поражению.

4. МЕРЫ ПЕРВОЙ ПОМОЩИ

Контакт с продуктом Порядок обращения с продуктом и действия при проглатывании, вдыхании, попадании в глаза, на кожные покровы и под них, смотрите в ПАСПОРТЕ БЕЗОПАСНОСТИ. Опасные жидкости и токсичные дымы могут вызывать серьёзные поражения, вплоть до смертельного исхода.

Попадание жидкости под кожные покровы

Жидкость может попадать под кожные покровы при появлении утечек, повреждении компонентов или ненадлежащем использовании системы.

Данная ситуация требует немедленного обращения к врачу. Сообщите врачу тип жидкости, попавшей под кожные покровы.

**ПРИМЕЧАНИЕ**

Смотрите паспорт безопасности данной жидкости.

**ОПАСНО**

Не обрабатывайте зону проникновения жидкости под кожные покровы как обычную рану. Обратитесь за квалифицированной помощью к врачу.

5. МЕРЫ БЕЗОПАСНОСТИ**ОПАСНО**

Запрещается запускать устройство в работу в усталом состоянии, под воздействием наркотиков и алкоголя. Не допускается оставление работающего устройства без присмотра. Не модифицируйте устройство. Самовольное изменение конструкции устройства может привести к аннулированию всех сертификаций и допусков и снижению его безопасности. Не допускайте людей и животных в рабочую зону. Соблюдайте требования действующих норм по безопасности.

Основные характеристики средств индивидуальной защиты

Используйте СИЗ, которые:

- пригодны для выполняемых операций;
- обладают стойкостью к продуктам, используемым для очистки.

Средства индивидуальной защиты (СИЗ)

защитная обувь



защитные перчатки



облегающая защитная одежда



защитные очки



Руководство по эксплуатации

Защитные перчатки

Длительный контакт с перекачиваемыми продуктами может привести к раздражению кожных покровов. При работе с устройством всегда используйте защитные перчатки.



ОПАСНО

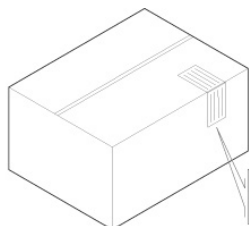
Осторожно. Возможно травмирование конечностей



В устройстве имеются подвижные части, способные травмировать конечности. Соблюдайте осторожность.

- Не приближайтесь к подвижным частям при запуске или использовании устройства.
- Запрещается запускать устройство с демонтированными защитными приспособлениями.

6. УПАКОВКА НАСОСА



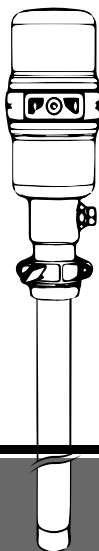
Насос поставляется в картонном ящике с *этикеткой*, на которой указана необходимая информация (модель, масса и т.п.).

7. СОДЕРЖИМОЕ УПАКОВКИ/ПРЕДВАРИТЕЛЬНАЯ ПРОВЕРКА



**модель
PIUSI P 3.5 - ST
PIUSI P 5.5 - ST**

Насос с настенным креплением



**модель
PIUSI P 3.5 - 940
PIUSI P 5.5 - 940**

Насос с креплением на бочку

Для вскрытия картонной упаковки используйте ножницы или нож. Будьте осторожны, чтобы не повредить устройство или его части. Откройте упаковку и убедитесь в наличии всех частей, входящих в комплект поставки.

ОПАСНО

Убедитесь в том, что данные на паспортной табличке соответствуют заказу. При обнаружении любых проблем немедленно свяжитесь с изготовителем и детально опишите проблему. При сомнениях в безопасности устройства не используйте его.

ПРИМЕЧАНИЕ

При отсутствии одной или нескольких деталей в упаковке свяжитесь с сервисной службой компании PIUSI S.p.A.

RU


8. РАСПОЛОЖЕНИЕ ЗНАКОВ И ТАБЛИЧЕК

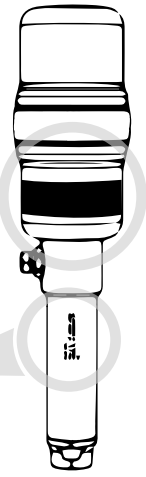
На насос нанесена наклейка с указанием важной информации для операторов. Необходимо поддерживать её в чистоте и следить за её читаемостью. На этикетке приведена следующая информация:

ПРИМЕЧАНИЕ

При повреждении или порче этикетки необходимо связаться с изготовителем и заказать новую этикетку взамен.

-  облегчающая защитная одежда
-  защитные перчатки
-  защитные очки
-  защитная обувь

 Смотрите руководство «Монтаж, эксплуатация и техническое обслуживание»



<p>WARNING</p> <p>Do not exceed the maximum air pressure of the pump. Not for use with windshield washer fluid, petrol or other explosive liquids.</p>	<p>MADE IN ITALY</p>	<p>ATTENTION</p> <p>Wear appropriate protective equipment to help prevent serious injury. Indossare dispositivi di protezione adeguati per prevenire gravi infortuni.</p>	
---	-----------------------------	--	---

Маркировка на верхней части насоса или заборной трубе содержит информацию об устройстве.

PIUSI SPA - СДЕЛАНО В ИТАЛИИ
PIUSI P 5.5 - ST F0021401A
СЕРИЙНЫЙ № 0123456789
CE EAC UKCA

9. ИДЕНТИФИКАЦИОННЫЕ ДАННЫЕ МАШИНЫ И ИЗГОТОВИТЕЛЯ

У данной модели насоса идентификационная маркировка нанесена прямо на корпус. Она содержит следующую информацию:

- модель;
- идентификационный код продукта;
- серийный номер.



ОПАСНО

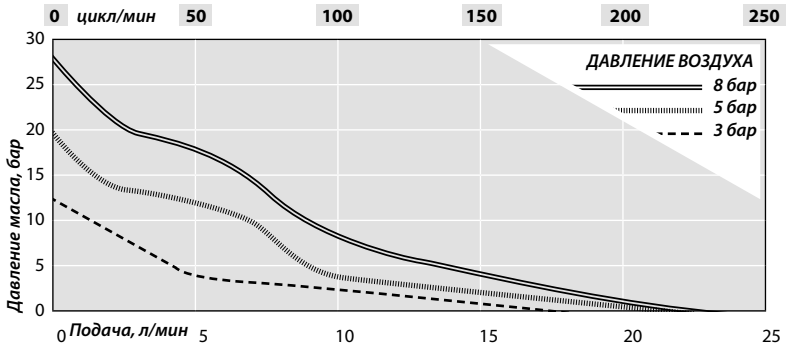
Перед установкой убедитесь в том, что модель насоса верная.

10. ТЕХНИЧЕСКИЕ ХАРАКТЕРИСТИКИ

	P 3.5 - ST F00214000	P 3.5 - 940 F00214020	P 5.5 - ST F00214010	P 5.5 - 940 F00214030
Степень сжатия	3.5:1	3.5:1	5.5:1	5.5:1
Давление воздуха	3-7 бар 43.5-101.5 PSI	3-7 бар 43.5-101.5 PSI	3-7 бар 43.5-101.5 PSI	3-7 бар 43.5-101.5 PSI
Вход воздуха	1/4" G	1/4" G	1/4" G	1/4" G
Вход масла	1" G	1" G	1" G	1" G
Выход масла	1/2" G	1/2" G	1/2" G	1/2" G
Подача при свободном выходе (8 бар)	21,5 л/мин	21,5 л/мин	15,5 л/мин	15,5 л/мин
Диаметр заборной трубы	-	42 мм	-	50 мм
Длина заборной трубы	175 мм	940 мм	175 мм	940 мм
Общая длина	445 мм	1210 мм	445 мм	1210 мм
Крепёжная резьба	2" G	2" G	2" G	2" G

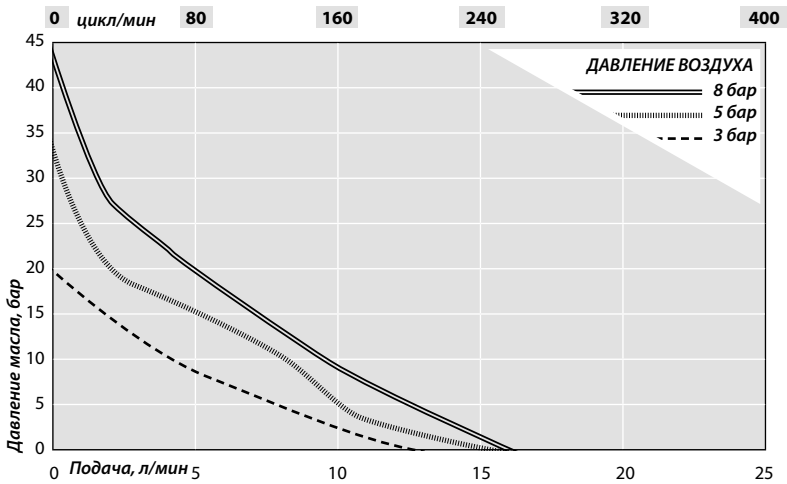
МАСЛО SAE 20 (ISO VG68)
t=18 °C

р 3.5 - ST р 3.5 - 940



RU

р 5.5 - ST р 5.5 - 940



11. НАЗНАЧЕНИЕ

Использование по назначению

Система подачи «**PIUSI P 3.5 - PIUSI P 5.5**» предназначена исключительно для подачи смазочного масла:

Условия эксплуатации

Система подачи «**PIUSI P 3.5 - PIUSI P 5.5**» должна использоваться с соблюдением следующих условий:

- *давление воздуха на входе: 3-7 бар*
- *максимальное рабочее давление: 55 бар;*
- *Убедитесь в том, что устройство работает в допустимых рабочих пределах.*

Огнеопасные жидкости и взрывоопасная атмосфера



ОПАСНО

Система подачи «**PIUSI P 3.5 - PIUSI P 5.5**» не предназначена для подачи дизельного топлива, бензина, горючих жидкостей с точкой воспламенения < 55 °C/131 °F, или для работы в потенциально взрывоопасной атмосфере. Поэтому её эксплуатация в таких условиях запрещается.

Использование не по назначению

Категорически запрещается использовать устройство для целей, отличных от указанных в разделе «Использование по назначению». Любое другое использование, за исключением того, для которого насос был разработан, и которое описано в настоящем руководстве, считается **НЕНАДЛЕЖАЩИМ ИСПОЛЬЗОВАНИЕМ**. Компания PIUSI S.p.A. не несёт никакой ответственности за любой материальный ущерб, травмирование людей и животных, повреждение самой системы, вызванные таким использованием.

12. УСТАНОВКА

Введение Система подачи «**PIUSI P 3.5 - PIUSI P 5.5**» предназначена для установки на стены (модификации ST) или на бочку (модификации 940). В любом случае должно обеспечиваться стабильное и надёжное крепление.

Монтажный персонал Операции монтажа должны выполняться исключительно квалифицированным персоналом, который должен:

- установить систему в сухом и хорошо проветриваемом месте;
- правильно установить все необходимые принадлежности для обеспечения надлежащей работы насоса.



ОПАСНО

Категорически запрещается модифицировать устройство подачи. Компания PIUSI S.p.A. не несёт никакой ответственности за любой ущерб здоровью персонала, имуществу владельца оборудования и окружающей среде, вызванный несоблюдением данного указания.

Монтажная организация несёт ответственность за оснащение устройства необходимыми принадлежностями для надлежащей работы. Использование негодных компонентов может привести к повреждению самого устройства и травмированию персонала.

Не используйте устройство, если его важные части, компоненты или принадлежности повреждены. Немедленно проведите ремонт или замену компонентов.



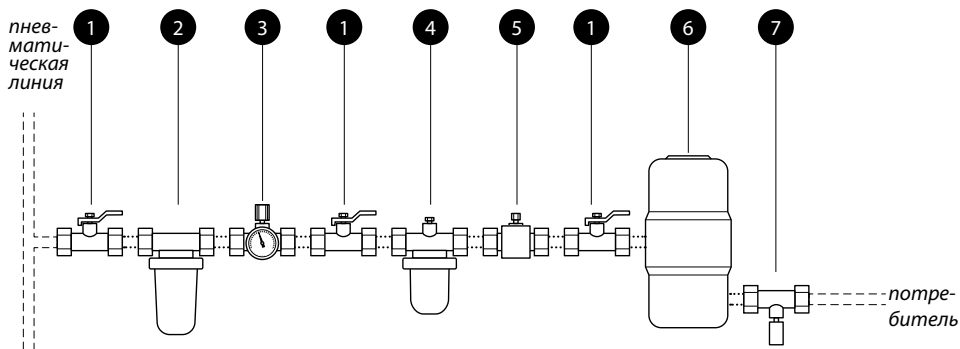
ОСТОРОЖНО

- Система подачи «**PIUSI P 3.5 - PIUSI P 5.5**» предназначена исключительно для профессионального использования.
- Система подачи «**PIUSI P 3.5 - PIUSI P 5.5**» должна устанавливаться в хорошо освещённом месте, отвечающем требованиям действующих норм.
- Все работы должны быть выполнены в строгом соответствии с требованиями противопожарных правил и действующих норм по безопасности.

Пример установки

Схема ниже приведена только для примера. На ней показан возможный способ установки системы «PIUSI P 3.5 - PIUSI P 5.5». Проектирование системы должно проводиться квалифицированным персоналом.

- 1 Шаровый кран
- 2 Фильтр
- 3 Регулятор давления с манометром - **Макс. допустимое значение 7 бар** (обязательный элемент)
- 4 Лубрикатор
- 5 Предохранительный клапан (обязательный элемент)
- 6 Насос
- 7 Предохранительный клапан - макс. давление



Крепление системы подачи

Надёжно прикрепите насос к стене (в версии ST), используя подходящую монтажную плиту или отверстия в бочке (модель 940), подсоедините заборную трубу и закрутите крепёжные винты. Затем подсоедините насос к пневматической линии используя все компоненты, показанные на рисунке.



ОПАСНО

- Пневматические компоненты должны устанавливаться при помощи подходящих креплений. Возможно повреждение соединений насоса под тяжестью трубопровода.
- Установка отличная от показанной на схеме может привести к ненадлежащей работе насоса.
- Давление воздуха на входе более 7 бар может привести к повреждению насоса и системы.

Принадлежности для безопасной эксплуатации

Для обеспечения надлежащей работы насоса и безопасности персонала необходимо установить устройства, уменьшающие риск поражения, обусловленного проникновением жидкости под давлением под кожные покровы, брызгами и т.п.

Шаровый кран (требуется)

1 На входе воздуха необходимо **ОБЯЗАТЕЛЬНО** установить шаровый кран с отводом для продувки. Такие краны позволяют отсекать секции пневматической системы и стравливать оставшийся в них воздух. Попавший в систему воздух может привести к самопроизвольному запуску насоса и серьёзным повреждениям.

клапан безопасности максимума давления

7 Контур **ДОЛЖЕН ОБЯЗАТЕЛЬНО** быть оборудован предохранительным клапаном максимального давления в системе распределения масла, сразу после насосного агрегата. Система позволяет сбросить опасное избыточное давление, вызванное тепловым расширением жидкости.

Регулятор давления с манометром

3 Рекомендуется установить регулятор давления с манометром для максимально удобного контроля подачи и давления насоса.

Предохранительный клапан

5 При работе пневмодвигателя на повышенных оборотах возможно его серьёзное повреждение. Предохранительный клапан обеспечит перекрытие потока при превышении заданного давления.

Лубрикатор

4 При интенсивной эксплуатации рекомендуется установить на линии подачи воздуха автоматический лубрикатор для обеспечения более долгого срока службы пневмодвигателя. Для смазки используйте только масло для пневматических систем или моторное масло SAE10. Отрегулируйте подачу максимум на одну каплю каждые 10 минут.

Фильтр

2 Установка воздушного фильтра на входе насоса позволит задерживать загрязнения и увеличить срок службы насоса.

**ОПАСНО**

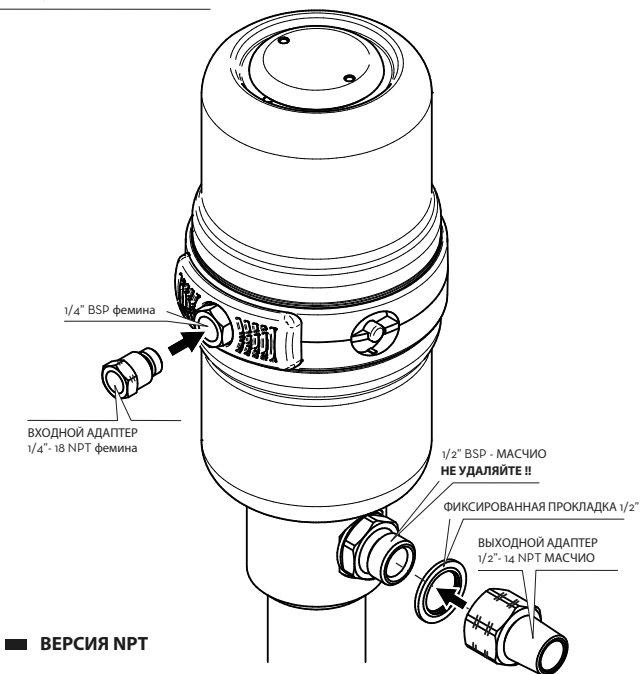
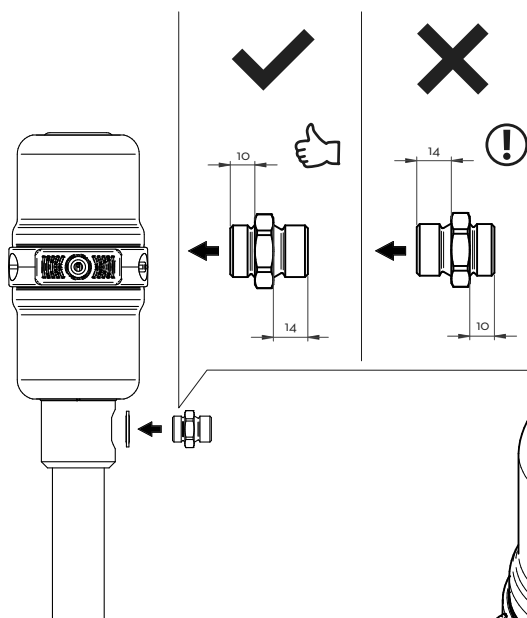
Запрещается запускать в работу неверно установленный или незакреплённый насос. Это может привести к серьёзному повреждению устройства и соединений.



ОПАСНО

Категорически запрещается
заменять ниппель
подачи масла на другие.
коммерческие разъемы

■ ПРАВИЛЬНАЯ СБОРКА НИПЛО



■ ВЕРСИЯ NPT

13. ЭКСПЛУАТАЦИЯ

Первый пуск

Для оптимального использования пневматического насоса рекомендуется соблюдать указания, приведённые далее. Это позволит уменьшить риски для операторов. В состоянии готовности к пуску по окончании установки продукта все шаровые краны на линии подачи воздуха, пистолет подачи жидкости и регулятор давления с манометром должны быть закрыты.

Открытие пневматической линии

При закрытом регуляторе давления откройте последовательно шаровые краны на линии подачи воздуха. Затем, откройте клапан и налейте жидкость в подходящую металлическую ёмкость. Удерживайте дуло заправочного пистолета в контакте с металлическими стенками ёмкости. Также рекомендуется использовать надлежащие средства индивидуальной защиты.

Подача давления и заполнение

Очень медленно откройте регулятор давления с манометром. Контролируя показания давления воздуха по манометру дождитесь запуска пневматического насоса для заполнения ёмкости. После удаления воздуха из жидкостных трубопроводов и начала подачи жидкости закройте клапан подачи.



ПРИМЕЧАНИЕ

После первого заполнения достаточно оставить открытой подачу воздуха. При открытии клапана подачи жидкости пневматический насос будет запускаться автоматически. Закрытие клапана подачи приводит к останову пневматического насоса.

Нормальное использование

Рекомендуется отрегулировать давление на минимальное значение достаточное для получения требуемой подачи. Данную регулировку следует проводить с особой тщательностью.



ОПАСНО

Система подаёт жидкость с высоким давлением, представляющем опасность для оператора. Первую подачу рекомендуется произвести с максимальной предосторожностью для получения правильного представления о работе системы. Немедленно прекращайте подачу жидкости при появлении искр или электрических разрядов.

**ОСТОРОЖНО**

Сухая, т.е. без жидкости, работа насоса может привести к его полному выходу из строя. Такая работа приводит к увеличению скорости вращения пневмодвигателя, перегреву и выходу его из строя.

При работе при низких температурах рекомендуется использовать системы для защиты от замерзания.

Рекомендуется не перекрывать подачу воздуха во время работы пневмодвигателя. Для надлежащей работы давление не должно снижаться ниже минимального предела.

14. ТЕХНИЧЕСКОЕ ОБСЛУЖИВАНИЕ**Меры предосторожности**

Система подачи сконструирована с расчётом минимальной необходимости в техническом обслуживании. Перед проведением любого технического обслуживания необходимо сравнить давление жидкости из системы подачи при помощи выпускного шарового крана. Категорически запрещается проводить техническое обслуживание при наличии в пневматическом контуре давления воздуха, достаточного для самопроизвольного запуска насоса. При проведении технического обслуживания необходимо обязательно использовать средства индивидуальной защиты (СИЗ). Для обеспечения надлежащей работы насоса соблюдайте следующие минимальные указания.

Лица, уполномоченные на проведение технического обслуживания

Все работы по техническому обслуживанию должны проводиться исключительно специализированным персоналом. *Любое самостоятельное вмешательство в конструкцию, помимо аннулирования гарантии, может привести к ухудшению характеристик, повреждению устройства или травмированию персонала.*

Выполняемые работы

Убедитесь в том, что этикетка, нанесённая на систему подачи, находится в хорошем состоянии и не отклеилась.

ЕЖЕДНЕВНО:

- проверяйте состояние гибких шлангов и рукавов.

ЕЖЕГОДНО:

- проверяйте компоненты пневматического контура.

15. ДИАГНОСТИКА

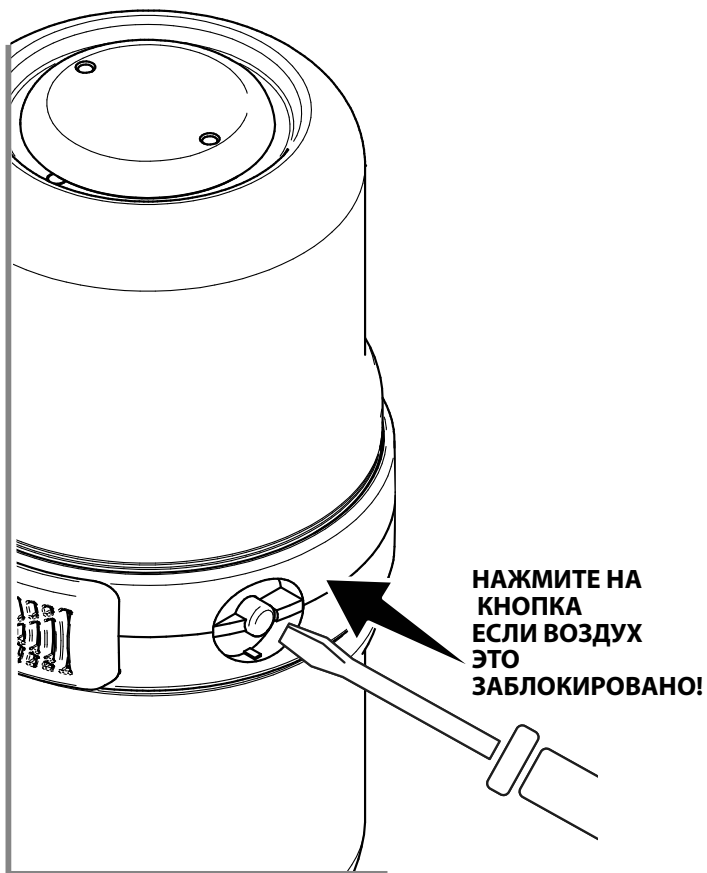


ОСТОРОЖНО

Перед проведением любых проверок или технического обслуживания перекройте подачу воздуха и стравите давление, как указано в соответствующем разделе настоящего руководства.

RU

Проблема	Возможная причина	Способ устранения
Насос не работает	Недостаточное давление воздуха на входе	Увеличьте давление воздуха на входе
	Пневматические линии засорены	Очистите трубопроводы подачи воздуха
	Клапаны подачи закрыты или засорены	Откройте клапаны подачи или очистите их
	Засор трубопроводов или других компонентов	Проверьте чистоту жидкостных трубопроводов и компонентов
	Жидкость в баке закончилась	Заполните бак
Насос работает неравномерно	Пневмодвигатель повреждён	Отремонтируйте пневмодвигатель
	Износ уплотнений поршня	Замените повреждённые уплотнения
Постоянная утечка воздуха	Жидкость в баке закончилась	Заполните бак
	Пропуск уплотнений двигателя	Очистите или замените уплотнения двигателя
Насос не запускается и пропускает воздух из глушителей	Насос остановился	Нажмите кнопку RESET полностью вниз (см. Схему ниже)



16. ДЕМОНТАЖ И УТИЛИЗАЦИЯ

Введение	При утилизации устройства его части подлежат сдаче в специализированные организации, занимающиеся утилизацией промышленных отходов. Неверная утилизация таких отходов может представлять опасность для окружающей среды и здоровья людей. Нарушение требований действующего законодательства по утилизации промышленных отходов преследуется по закону.
Утилизация упаковки	Упаковка сделана из биоразлагаемого картона, который можно сдать в пункты приёма макулатуры.
Утилизация металлических частей	Металлические части, окрашенные и сделанные из нержавеющей стали, подлежат сдаче в пункты приёма металлолома.
Утилизация остальных частей	Остальные части устройства, такие как резиновые уплотнения, трубы, пластмассовые детали и кабели также должны сдаваться в компании, занимающиеся утилизацией промышленных отходов.

UK DECLARATION OF CONFORMITY

The undersigned: PIUSI S.p.A
Via Pacinotti 16/A - z.i. Rangavino
46029 Suzzara - (MN) - Italia

HEREBY STATES on its own responsibility, that the machine described below:

Description: double-acting pneumatic pump for oil distribution.

Model: **PIUSI P 60:1 AIR OPERATED GREASE PUMP**

Serial number: see the Serial Number on the EC plate stamped on the product.

Year of construction: see the Serial Number on the EC plate stamped on the product.

is in conformity with the legal provisions indicated in the Statutory Instruments:

- Machinery: The Supply of Machinery (Safety) Regulations 2006

The technical file is at the disposal of the competent authority following motivated request at Piusi S.p.A.
or following request sent to the e-mail address: doc_tec@piusi.com

PIUSI

*Fluid Handling
Innovation*

piusi.com
PIUSI SpA • Suzzara MN Italy

BULLETIN MO352 B ENRU _ O2

05.2023