



KITS



PUMPS



METERS



METERED NOZZLES



NOZZLES



WASTE OIL EQUIPMENTS

# PRO ONE 15 - MA

## FEATURES

- LONG-LASTING DIAPHRAGM
- BUILT-IN SILENCER
- HEAVY-DUTY WORKING CONDITIONS
- ROBUST DESIGN
- REDUCED AIR CONSUMPTION
- LOW NOISE LEVEL

The PRO ONE 15 is a PIUSI pump designed to offer maximum efficiency, long service life, and ease of use. Its new air distributor has been engineered for quick disassembly with direct access from the outside, making maintenance operations easier. It ensures high resistance, reliability, and remarkable durability. Equipped with an anti-stall system featuring an unbalanced valve, the pump optimizes air consumption, increasing operating efficiency and significantly reducing noise. Thanks to its Heavy Duty structure, the PRO ONE 15 is perfectly suited for demanding and prolonged applications, positively impacting maintenance and operating costs.

### PERFORMANCE

UP TO <b>50 L/MIN</b>	MAX <b>7 BAR</b>
FLOW RATE	AIR PRESSURE
MAX CAPACITY <b>7 M</b>	MAX <b>Ø 2,5MM</b>
SELF PRIMING	PASSING SOLID



PRO ONE 15 - MA



### PACKAGING

CODE	WEIGHT		PACKAGING			
	KG	LBS	MM	INCH	PCS/PALLET	PCS/BOX
FO0808A00	5,9	13	292X178X285	11,4X7X11,2	-	1



FILTRATION



FLUID MONITORING



TANK MONITORING



HOSE REELS



ACCESSORIES



MERCHANDISE

INDEX



AIR



ANTIFREEZE



AdBlue®



BIODIESEL



DIESEL



FOOD



GASOLINE



GREASE



KEROSENE



OIL

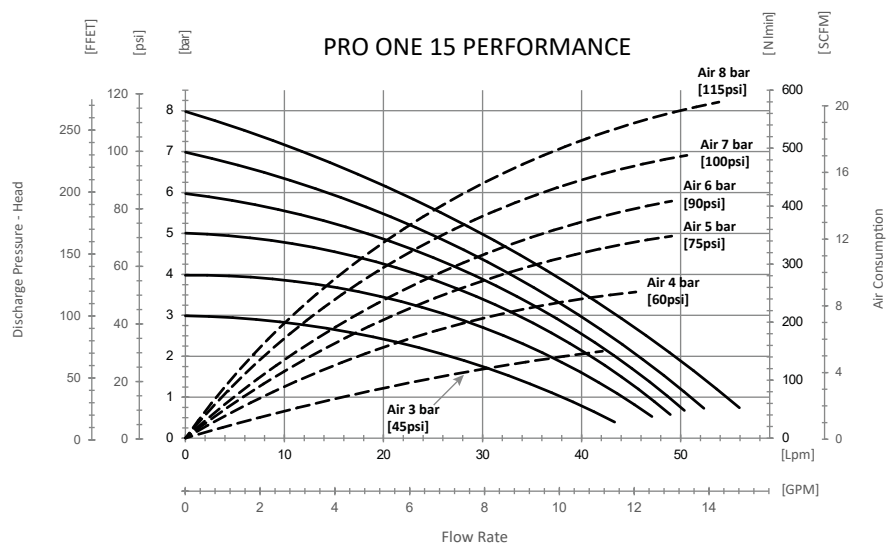


WATER



WINDSCREEN

### CHART



### IN THE BOX

- PRO ONE 15 PUMP
- INSTRUCTION MANUAL

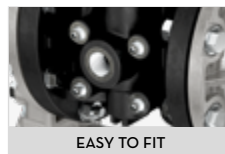
### DETAILS



HEAVY DUTY MATERIALS

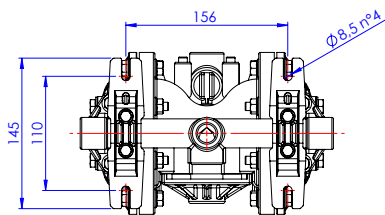
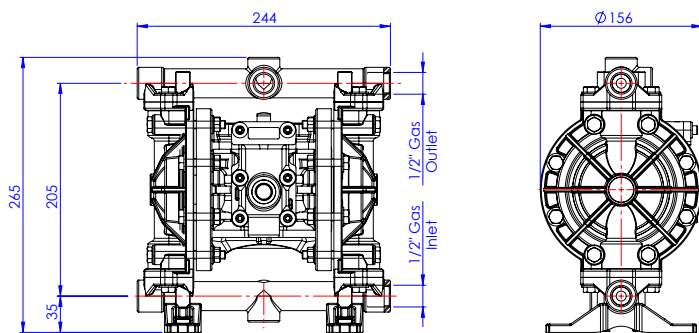


ALUMINIUM BODY



EASY TO FIT

### DIMENSIONS



Dimensions expressed in millimeters

### MATERIALS IN CONTACT WITH FLUIDS

- BODY: ALUMINIUM
- DIAPHRAGMS: NBR

### TECHNICAL DATA

CODE	DESCRIPTION	FLUIDS TYPE	PUMP BODY	IN / OUT	FLOW RATE	DIAPHRAGM	INTAKE / DELIVERY CONNECTION	AIR CONNECTION	MAX SELF-PRIMING CAPACITY	MAX HEAD	MAX AIR SUPPLY PRESSURE	MAX Ø OF PASSING SOLID
					L/MIN				M	M	BAR	MM
FO0808AOO	(EX) PRO ONE 15 - MA 50 L/MIN		ALLUMINIUM	1/2" G	50	NBR	G 1/2" F	G 3/8" F	7	70	7	2,5