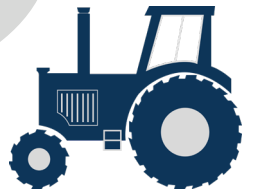




**CTS**

# Fun Fuelled Activity Pack!

EDITION 2



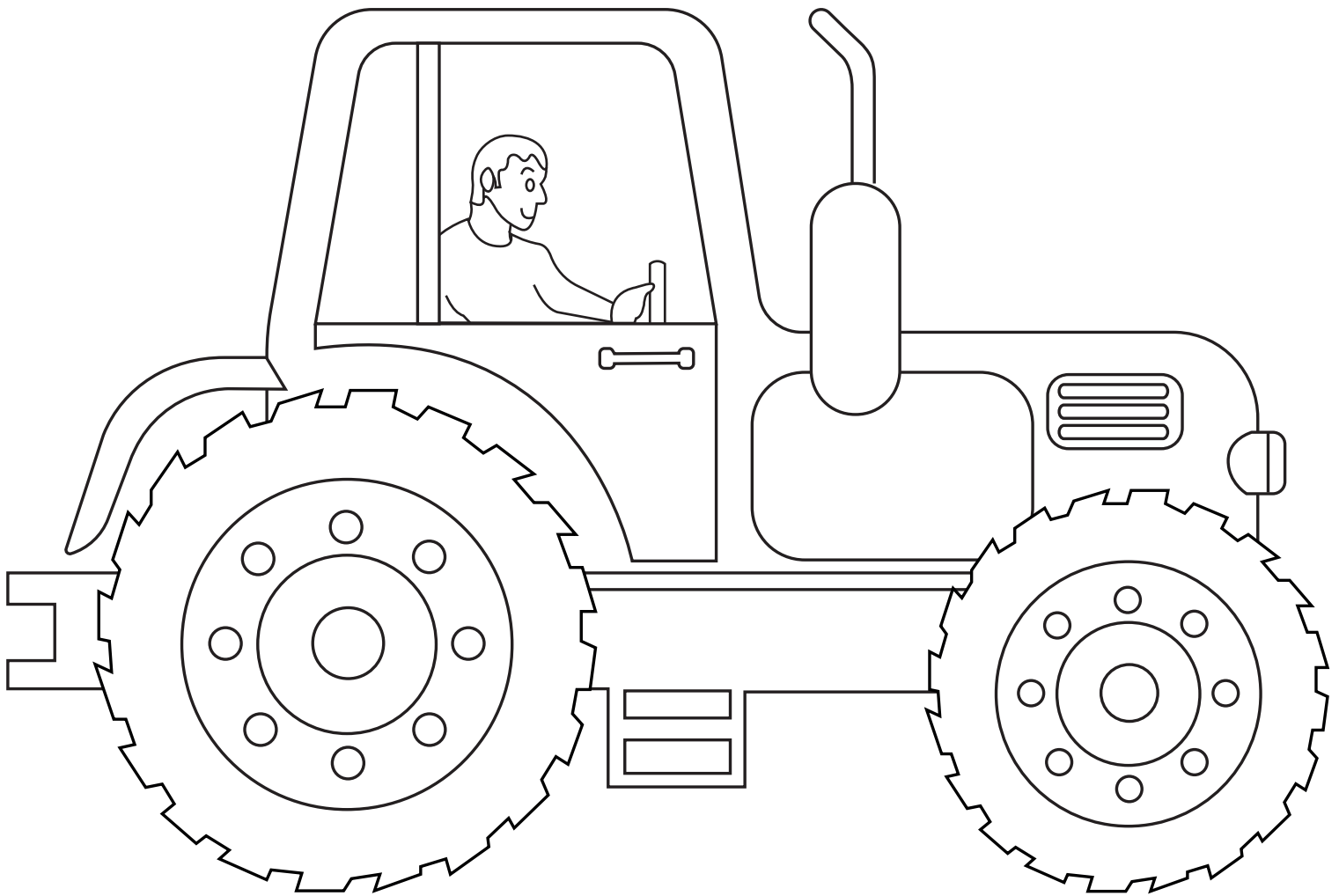
This pack belongs to:



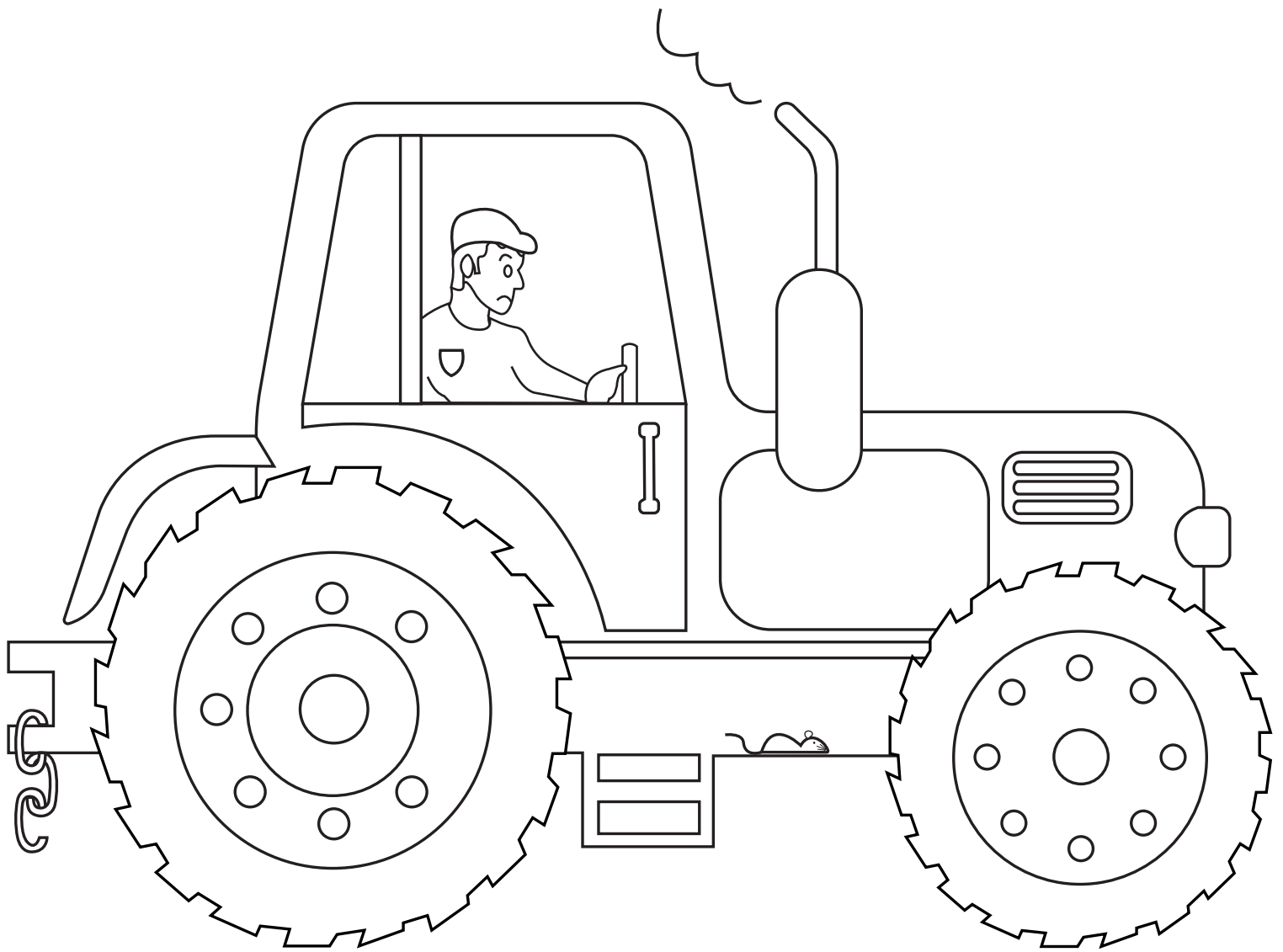
.....

# 1. Spot the difference

*Are you able to spot the differences in the two*



*drawings below? Hint: There's 10 to find...*



## 2. Word Search

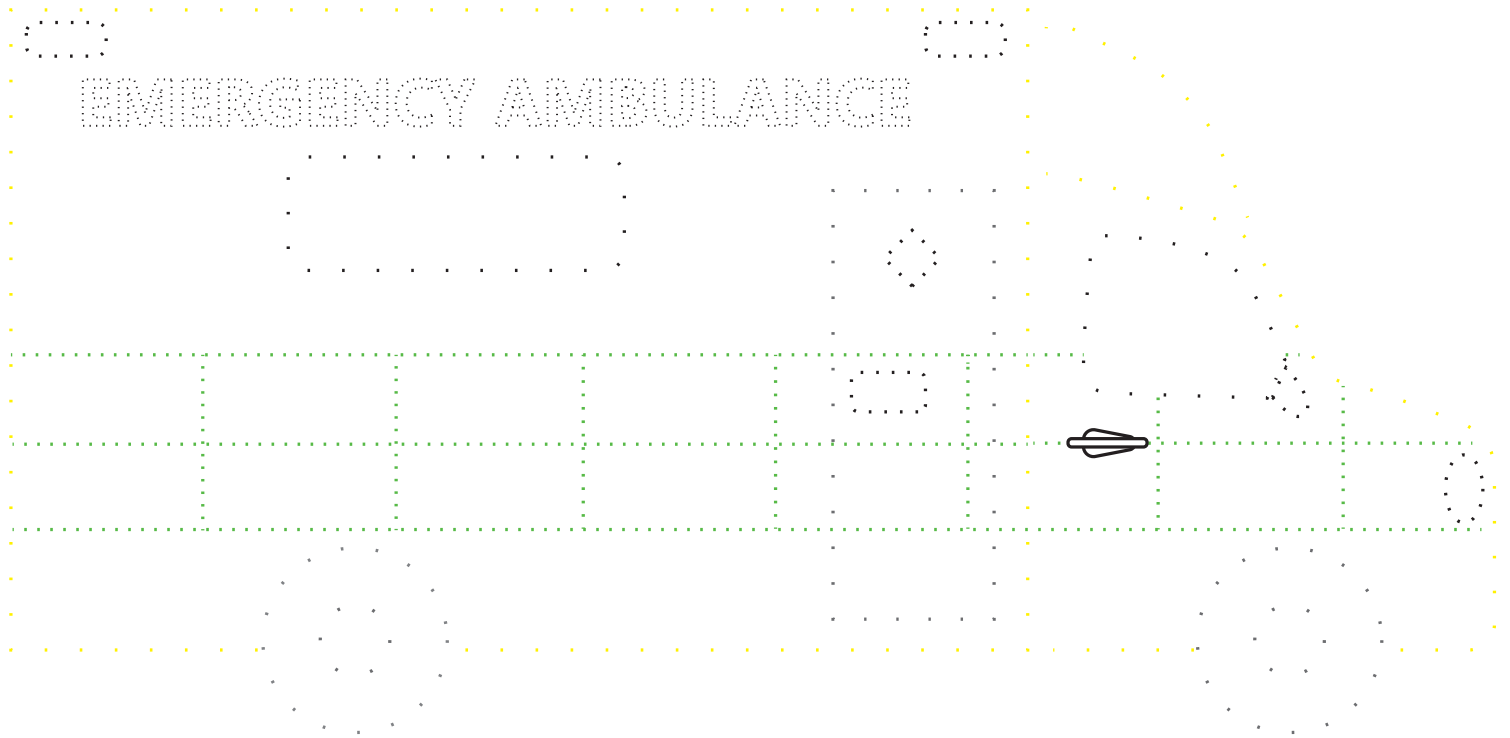
*Can you find which vehicles use diesel from the letter jumble below?*

D	Z	H	O	T	C	A	C	A	R	U
I	Y	N	C	Q	M	E	W	M	F	H
G	G	S	V	A	K	L	R	B	L	C
G	S	W	E	G	O	A	G	U	D	M
E	C	S	F	R	H	C	V	L	A	I
R	H	Y	R	H	B	S	H	A	N	S
T	B	Y	E	N	H	T	C	N	A	V
B	E	H	G	U	O	L	P	C	F	R
Z	U	V	U	R	R	G	S	E	B	J
A	R	S	C	T	R	A	C	T	O	R
E	K	I	B	R	O	T	O	M	A	B

1. VAN
2. LORRY
3. TRACTOR
4. DIGGER
5. CAR
6. AMBULANCE
7. BUS
8. COACH
9. PLOUGH
10. MOTORBIKE

### 3. Dot to Dot

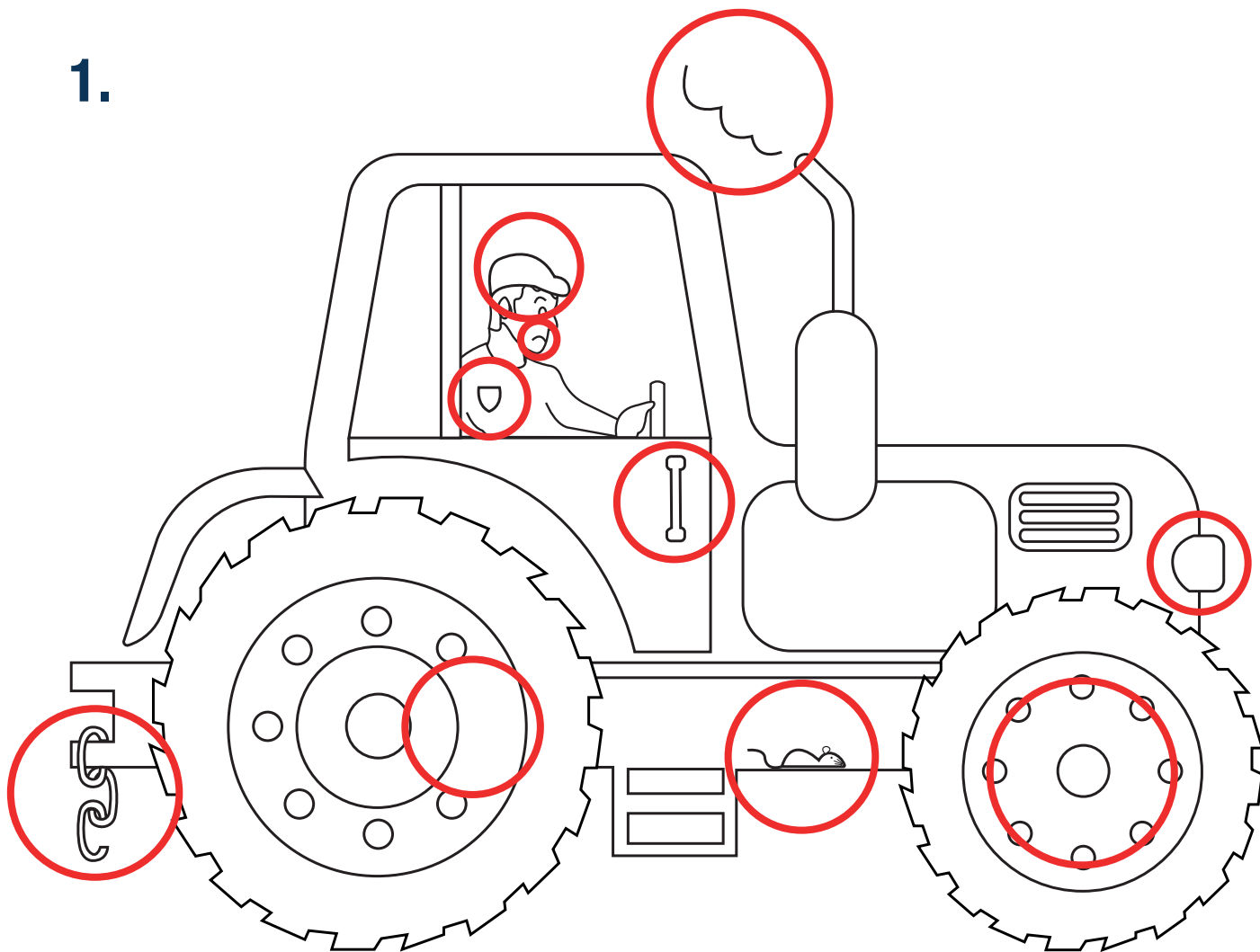
*Complete the dot to dot using the colours shown to reveal an image for you to colour in...*



# Answers

*How many of them did you get right?*

1.



2.

D	Z	H	O	T	C	A	C	A	R	U
I	Y	N	C	Q	M	E	W	M	F	H
G	G	S	V	A	K	L	R	B	L	C
G	S	W	E	G	O	A	G	U	D	M
E	C	S	F	R	H	C	V	L	A	I
R	H	Y	R	H	B	S	H	A	N	S
T	B	Y	E	N	H	T	C	N	A	V
B	E	H	G	U	O	L	P	C	F	R
Z	U	V	U	R	R	G	S	E	B	J
A	R	S	C	T	R	A	C	T	O	R
E	K	I	B	R	O	T	O	M	A	B